

Technical data sheet for

## **GRIDDLE TOASTER 600mm**

G55T

- Griddle plate with toaster under
- 16mm griddle plate
- Individually controlled dual burners
- Large capacity grease collection drawer
- Rear rollers
- Stainless steel exterior
- Easy clean
- Easy service
- Fully modular



G55T

### **Overall Construction**

- 16mm machined surface mild steel griddle plate
- 2.5mm stainless steel integral splashguard
- 2.5mm stainless steel grease channel at front of plate
- Stainless steel grease collection drawer below mid shelf
- Dual burners with individual pilot and flame failure
- Stainless steel radiant reflectors on burners for efficient toasting
- Welded 1.5mm 304 stainless steel bull nose
- Splashback and hob sides 1.2mm 304 stainless steel
- Vitreous enamelled control panel
- Toasting compartment 1.2mm high temperature aluminised steel
- Base shelf and mid shelf finished in 0.9mm 304 stainless steel
- Vitreous enamelled steel spill tray
- Chrome wire toasting rack with integral crumb tray
- Chrome wire rack supports
- 63mm dia. heavy-duty 1.2mm 304 stainless steel adjustable legs at front and two rollers at rear

### **Controls**

- Large easy use control knobs - heat resistant reinforced
- Easy view control settings on knobs
- Dual controls with variable high to low burner setting
- Flame failure pilot burners
- Piezo ignition to pilot burners

### **Cleaning and Servicing**

- Removable grill rack system, rack supports, and crumb tray
- Removable grease drawer
- Easy clean stainless steel exterior
- Access to all parts from front of unit

# Technical data sheet for GRIDDLE TOASTER 600mm

## Specifications

### Burners

2 x 22MJ tubular burners with grill radiants

### Gas power

44MJ/hr, 12.2kW

### Plate

16mm thick mild steel

Cooking surface 590mm x 520mm, 3068cm<sup>2</sup>

### Toaster Dimensions

Rack size 430mm x 470mm

Rack positions 4

### Gas connection

R 1/2 (BSP) male

Optional underside connection, please specify when ordering

All units supplied with Natural and LP gas regulator

### Dimensions

Width 600mm

Depth 812mm

Height 915mm

Incl. splashback 1085mm

### Nett weight

115kg

### Packing data

0.70m<sup>3</sup>, 165kg

Width 645mm

Depth 870mm

Height 1255mm

### Gas types

Available in Natural gas and LP gas, please specify when ordering

Units supplied complete with gas type conversion kits

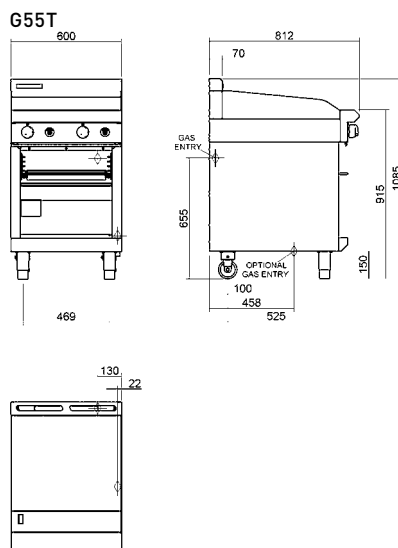
Other gas types on request

### Options

Adjustable feet at rear

Joining caps

Castors



**MOFFAT®**

Australia  
www.moffat.com.au  
New Zealand  
www.moffat.co.nz

www.bluesealevolution.com

Australia  
Moffat Pty Limited

Victoria/Tasmania  
740 Springvale Road  
Mulgrave, Victoria 3170  
Telephone 03-9518 3888  
Facsimile 03-9518 3833  
vsales@moffat.com.au

New South Wales  
Telephone 02-8833 4111  
nswsales@moffat.com.au

South Australia  
Telephone 03-9518 3888  
vsales@moffat.com.au

Queensland  
Telephone 07-3630 8600  
qldsales@moffat.com.au

Western Australia  
Telephone 08-9202 6820  
bgarcia@moffat.com.au

New Zealand  
Moffat Limited

Christchurch  
16 Osborne Street  
Christchurch 8011  
Telephone 03-389 1007  
Facsimile 03-389 1276  
sales@moffat.co.nz

Auckland  
Telephone 09-574 3150  
sales@moffat.co.nz



ISO9001  
Quality  
Management  
Standard

Designed and manufactured by

**MOFFAT®**

ISO9001

All Blue Seal products are designed and manufactured by Moffat using the internationally recognised ISO9001 quality management system, covering design, manufacture and final inspection, ensuring consistent high quality at all times.



AGA Cert 6869

In line with policy to continually develop and improve its products, Moffat Limited reserves the right to change specifications and design without notice.

Printed in China  
© Copyright Moffat Ltd  
Moffat / 7.09 / 1140

